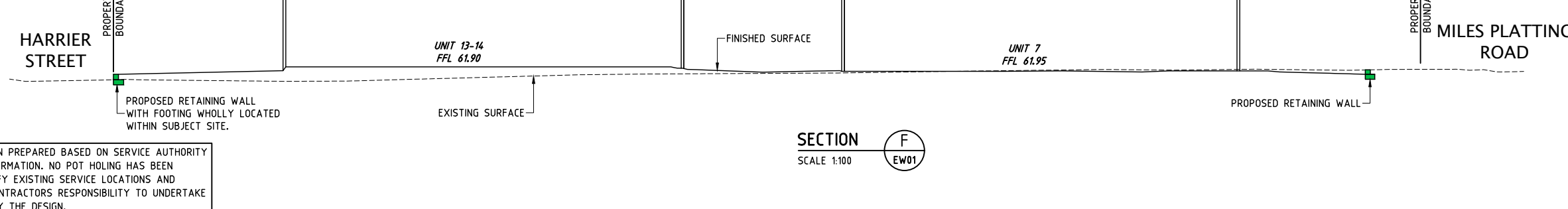
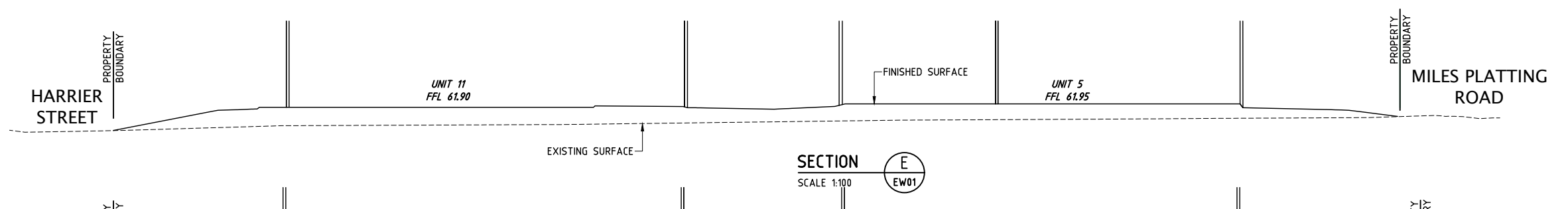
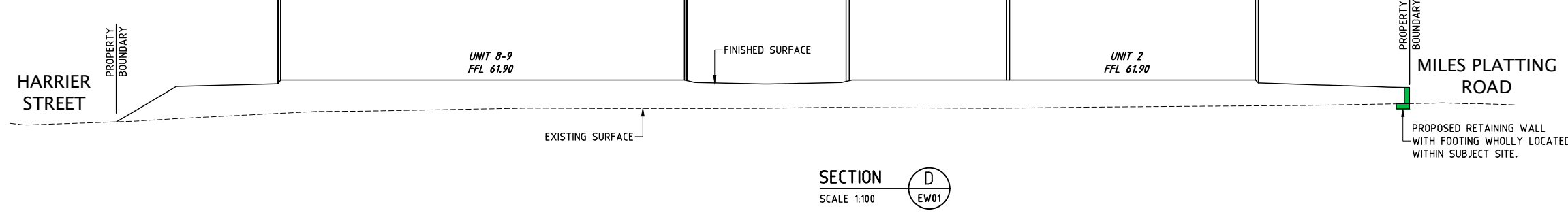
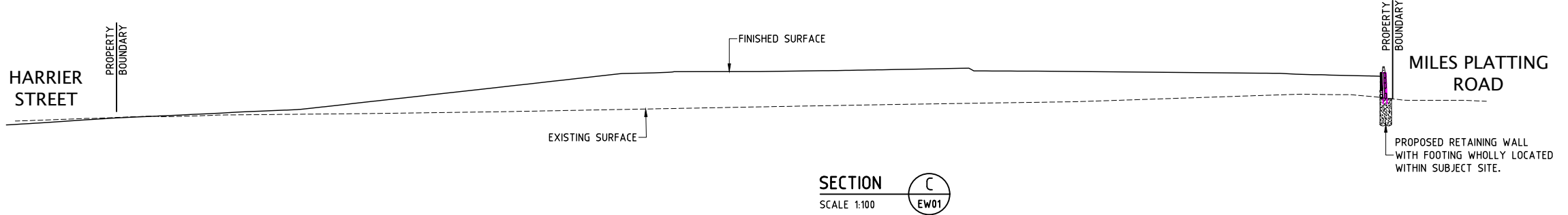
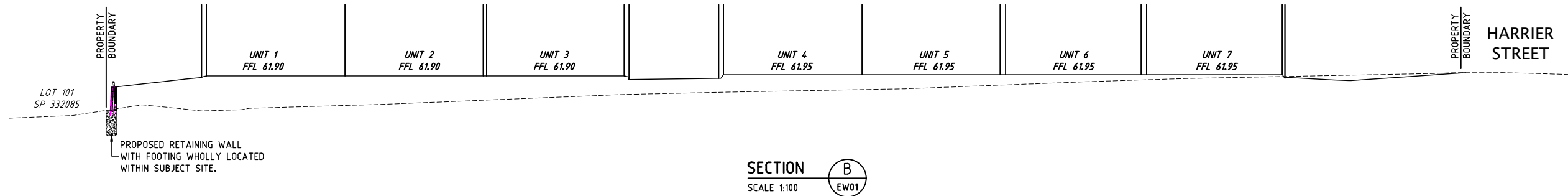
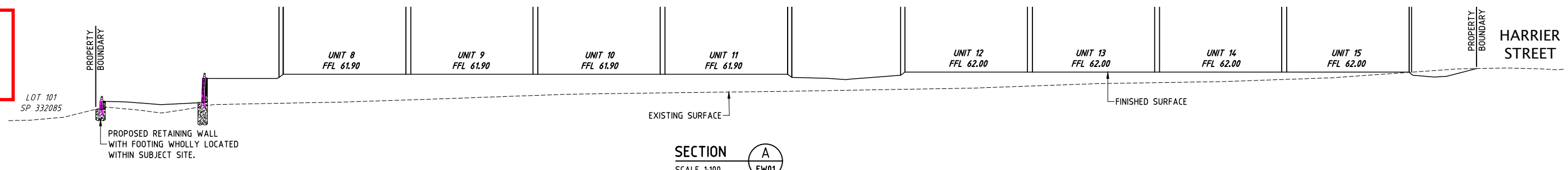


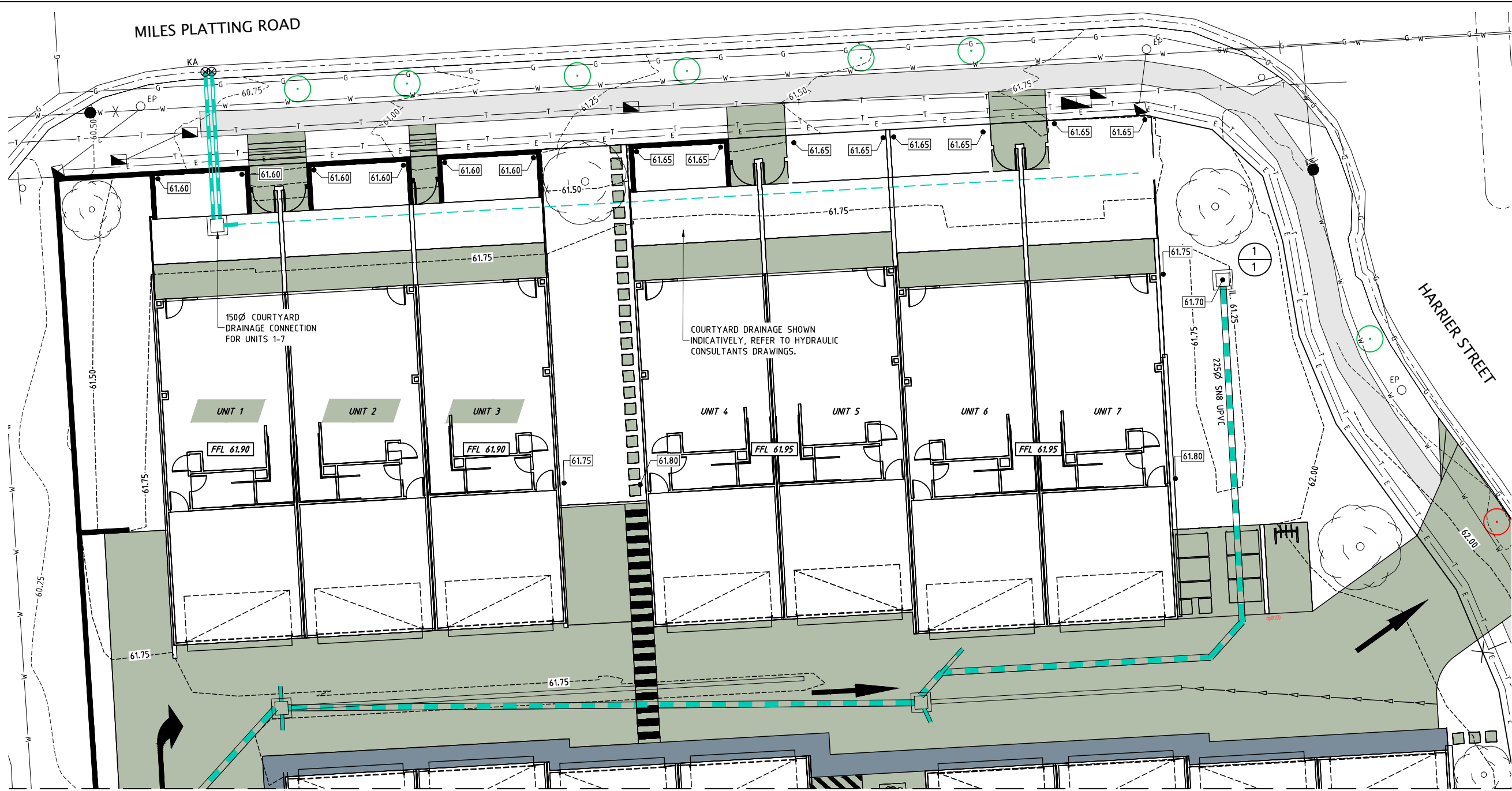
**BCC DS
RECEIVED**
13/05/2026
APPLICATION REF
A007001616



THIS DESIGN HAS BEEN PREPARED BASED ON SERVICE AUTHORITY AS CONSTRUCTED INFORMATION. NO POT HOLING HAS BEEN UNDERTAKEN TO VERIFY EXISTING SERVICE LOCATIONS AND DEPTHS. IT IS THE CONTRACTORS RESPONSIBILITY TO UNDERTAKE POT HOLING TO VERIFY THE DESIGN.

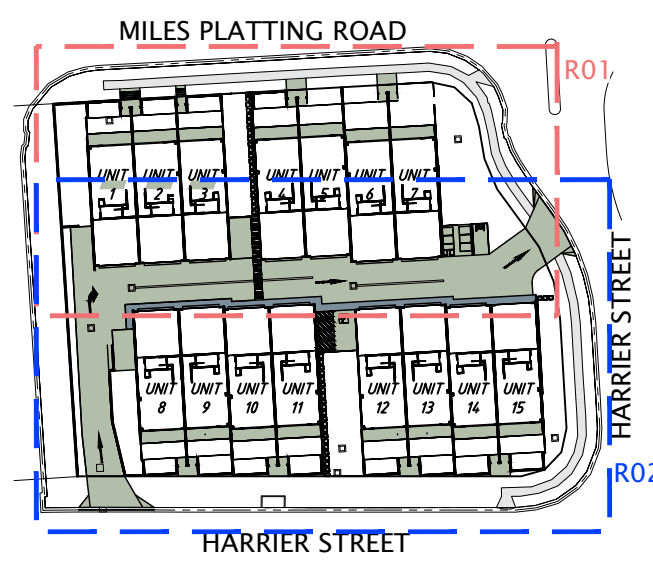


<p>HCE Engineers Pty Ltd ABN 42 664 382 610 mail@hce-engineers.com.au 07 3829 1399</p>	PROJECT	TITLE	CLIENT	CERTIFICATION	REVISION	AMENDMENT	DATE	DO NOT SCALE. CONFIRM ALL DIMENSIONS ON SITE.
	17 HARRIER STREET ROCHEDALE QLD 4123	BULK EARTHWORKS SECTIONS	TRAVEL 2016 PTY LTD		A B	ISSUED FOR COMMENT MINOR CHANGE APPLICATION	12/02/26 02/04/26	Designed: GH Drawn: JW Date: 04/02/2026
								Approval No. A005712667 Scale AS SHOWN
								Drawing No. 25341-EW02 Rev. B



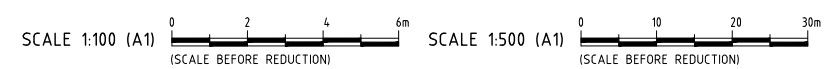
- LEGEND**
- 10.0--- EXISTING SURFACE CONTOURS (0.25m INTERVAL)
 - 10.0--- FINISHED SURFACE CONTOURS (0.25m INTERVAL)
 - ⊙ 1/1 PROPOSED STORMWATER STRUCTURE
 - PROPOSED STORMWATER DRAINAGE
 - - - PROPOSED COURTYARD DRAINAGE
 - W — EXISTING WATER RETICULATION
 - E — EXISTING UNDERGROUND ELECTRICAL
 - T — EXISTING TELECOMMUNICATIONS
 - G — EXISTING GAS
 - G — INACTIVE EXISTING GAS
 - EXISTING KERB AND CHANNEL
 - PROPOSED RETAINING WALL
 - █ EXISTING CONCRETE
 - █ PROPOSED CONCRETE
 - ⊙ PROPOSED TREE
 - EP ○ EXISTING ELECTRICAL POLE
 - EXISTING ELECTRICAL PILLAR
 - 12.00 DESIGN LEVEL

PLAN
SCALE 1:100



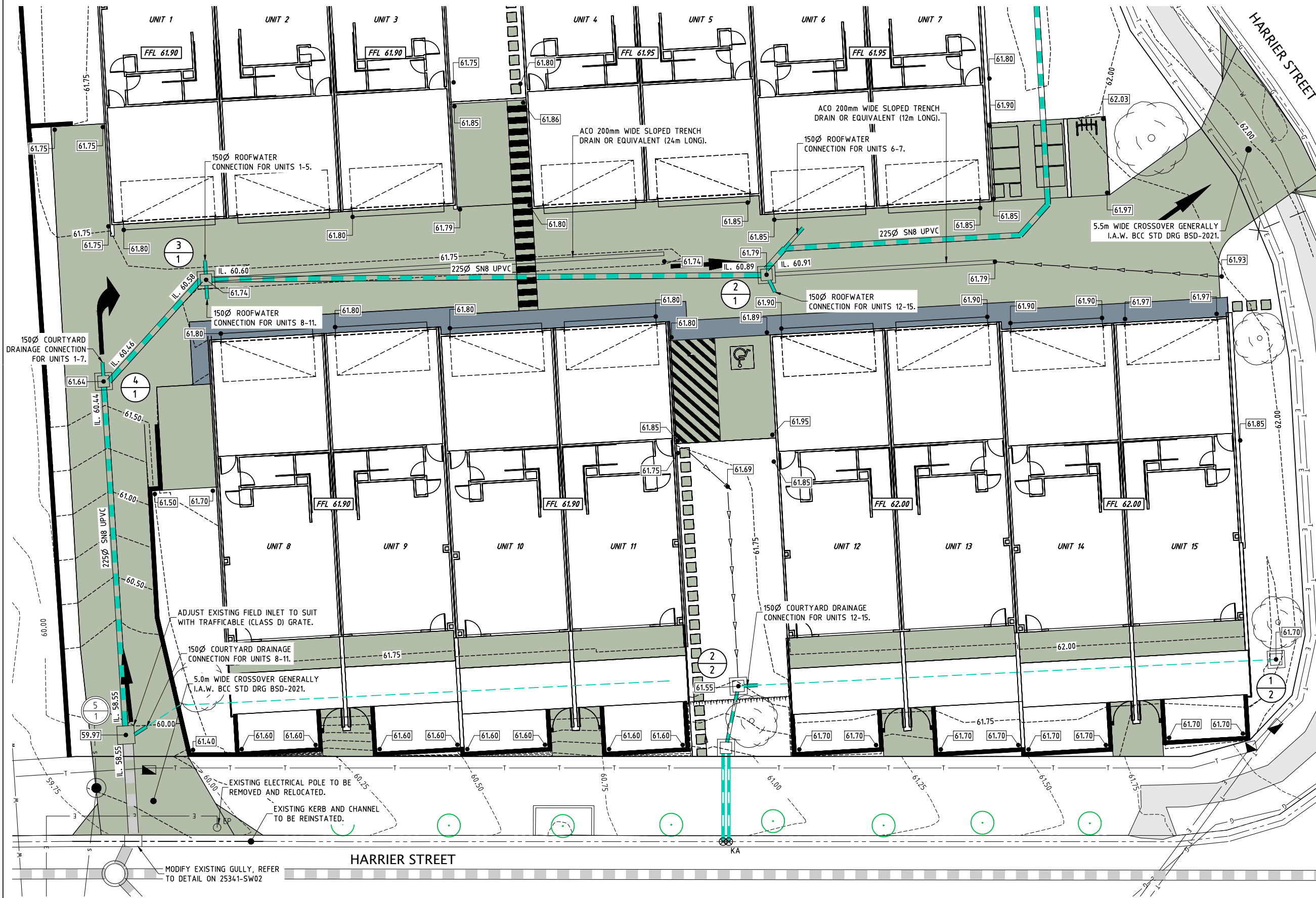
KEY PLAN
SCALE 1:500

THIS DESIGN HAS BEEN PREPARED BASED ON SERVICE AUTHORITY AS CONSTRUCTED INFORMATION. NO POT HOLING HAS BEEN UNDERTAKEN TO VERIFY EXISTING SERVICE LOCATIONS AND DEPTHS. IT IS THE CONTRACTORS RESPONSIBILITY TO UNDERTAKE POT HOLING TO VERIFY THE DESIGN.



BCC DS RECEIVED
13/05/2026
APPLICATION REF
A007001616

<p>HCE ENGINEERS ABN 42 664 382 610 mail@hce-engineers.com.au 07 3829 1399</p>	<p>PROJECT 17 HARRIER STREET ROCHEDALE QLD 4123</p>	<p>TITLE ROADWORKS AND DRAINAGE KEY PLAN AND GENERAL ARRANGEMENT PLAN SHEET 1 OF 2</p>	<p>CLIENT TRAVEL 2016 PTY LTD</p>	<p>CERTIFICATION</p>	<p>REVISION</p>	<p>AMENDMENT</p>	<p>DATE</p>	<p>DO NOT SCALE. CONFIRM ALL DIMENSIONS ON SITE.</p>
					<p>A ISSUED FOR COMMENT 12/02/26</p>	<p>B MINOR CHANGE APPLICATION 02/04/26</p>	<p>C ADD U1-U7 ACCESS 24/04/26</p>	<p>Designed GH Drawn JW Date 04/02/2026</p>
<p>Drawing No. 25341-R01</p>								<p>Rev. C</p>



- LEGEND**
- 10.0--- EXISTING SURFACE CONTOURS (0.25m INTERVAL)
 - 10.0--- FINISHED SURFACE CONTOURS (0.25m INTERVAL)
 - ① PROPOSED STORMWATER STRUCTURE
 - ① EXISTING STORMWATER STRUCTURE
 - EXISTING STORMWATER DRAINAGE
 - PROPOSED STORMWATER DRAINAGE
 - PROPOSED COURTYARD DRAINAGE
 - EXISTING SEWERAGE
 - EXISTING WATER RETICULATION
 - EXISTING UNDERGROUND ELECTRICAL
 - EXISTING TELECOMMUNICATIONS
 - EXISTING GAS
 - INACTIVE EXISTING GAS
 - PROPOSED SWALE DRAIN
 - EXISTING KERB AND CHANNEL
 - PROPOSED KERB AND CHANNEL
 - PROPOSED RETAINING WALL
 - EXISTING CONCRETE
 - PROPOSED CONCRETE
 - PROPOSED PEDESTRIAN PRIORITISED PATHWAY
 - WM EXISTING WATER METER
 - EP EXISTING ELECTRICAL POLE
 - KA PROPOSED KERB ADAPTOR
 - EP EXISTING ELECTRICAL PILLAR
 - X PROPOSED WATER METER
 - 12.00 DESIGN LEVEL
 - PROPOSED TREE

HARRIER STREET

PLAN
SCALE 1:100

THIS DESIGN HAS BEEN PREPARED BASED ON SERVICE AUTHORITY AS CONSTRUCTED INFORMATION. NO POT HOLING HAS BEEN UNDERTAKEN TO VERIFY EXISTING SERVICE LOCATIONS AND DEPTHS. IT IS THE CONTRACTORS RESPONSIBILITY TO UNDERTAKE POT HOLING TO VERIFY THE DESIGN.

BCC DS
RECEIVED
13/05/2026
APPLICATION REF
A007001616

SCALE 1:100 (A1)
0 2 4 6m
(SCALE BEFORE REDUCTION)

<p>HCE Engineers Pty Ltd ABN 42 664 382 610 mail@hce-engineers.com.au 07 3829 1399</p>	<p>PROJECT</p> <p>17 HARRIER STREET ROCHEDALE QLD 4123</p>	<p>TITLE</p> <p>ROADWORKS AND DRAINAGE ARRANGEMENT PLAN SHEET 2 OF 2</p>	<p>CLIENT</p> <p>TRAVEL 2016 PTY LTD</p>	<p>CERTIFICATION</p>	<p>REVISION</p> <p>A ISSUED FOR COMMENT B MINOR CHANGE APPLICATION</p>	<p>AMENDMENT</p>	<p>DATE</p> <p>12/02/26 02/04/26</p>	<p>DO NOT SCALE. CONFIRM ALL DIMENSIONS ON SITE.</p> <p>Designed GH Drawn JW Date 04/02/2026</p> <p>Approval No. A005712667 Scale AS SHOWN</p> <p>Drawing No. 25341-R02 Rev. B</p>
	<p>Copyright ©</p>							

