

BCC DS
 RECEIVED
 06/05/2026
 APPLICATION REF
 A007006966

PROPOSED CHANGE OF CLASSIFICATION- PLACE OF WORSHIP

19 GIBBS STREET, WYNNUM

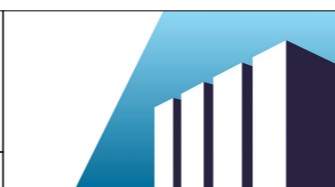
DWELLING PLACE CHURCH

DRAWING SCHEDULE DA		
No.	DESCRIPTION	REVISION
SK-00	TITLE SHEET	C
SK-01	EXISTING SITE & GF PLAN	A
SK-02	PROPOSED SITE & GF PLAN	C
SK-03	ELEVATION & SECTION	A
SK-04	STANDARD DETAILS - PWD WC	A
SK-05	STANDARD DETAILS - PWD BASIN	A
SK-06	STANDARD DETAILS - STAIR DETAILS	A

REV.	DESCRIPTION	DATE	ISSUED BY
C	IFA CALCS	16.04.2026	RBH
B	PLANNING REVIEW	24.03.2024	RBH
A	INITIAL ISSUE	23.03.2026	RBH

FIGURED DIMENSIONS TO BE TAKEN IN PREFERENCE TO SCALED READINGS. VERIFY ALL DIMENSIONS ON SITE

DRAWN BY: Author		CHECKED BY: S.E. HARDY (QBSA LICENCE NUMBER 65539)
C:_2018 Drafting\STEVE HARDY C CURRENT\STEVE HARDY_26000\19 GIBBS ST WYNNUM\16 GIBBS ST - WHYNAM 260318.rvt		
<small>THE WORK DESCRIBED ON THIS / THESE DRAWING(S) IS COVERED BY COPYRIGHT, AND IS APPLICABLE TO THE PROJECT/SITE ONLY AND MUST NOT BE USED FOR ANY OTHER PURPOSE NOR BE REPRODUCED OR COPIED IN ANY FORM OR BY ANY MEANS WITHOUT THE WRITTEN PERMISSION OF STEVE HARDY. THIS DRAWING HAS BEEN PRODUCED BASED ON INFORMATION SUPPLIED BY OTHERS. WHILE ALL ATTEMPTS HAVE BEEN MADE TO ENSURE THE ACCURACY OF THE DRAWING, R.H FRANKLAND WILL NOT BE HELD RESPONSIBLE FOR THE ACCURACY OF THE INFORMATION PROVIDED.</small>		



RH FRANKLAND ARCHITECTS PTY LTD
 ARCHITECTURE & CONSULTING STUDIO

1/59 Link Drive, Yatala, QLD 4207.
 ACN 688 559 551
 ABN 34 688 559 551

Tel. 0401 949 374
 mail@rhfrankland.com.au
 www.rhfrankland.com.au

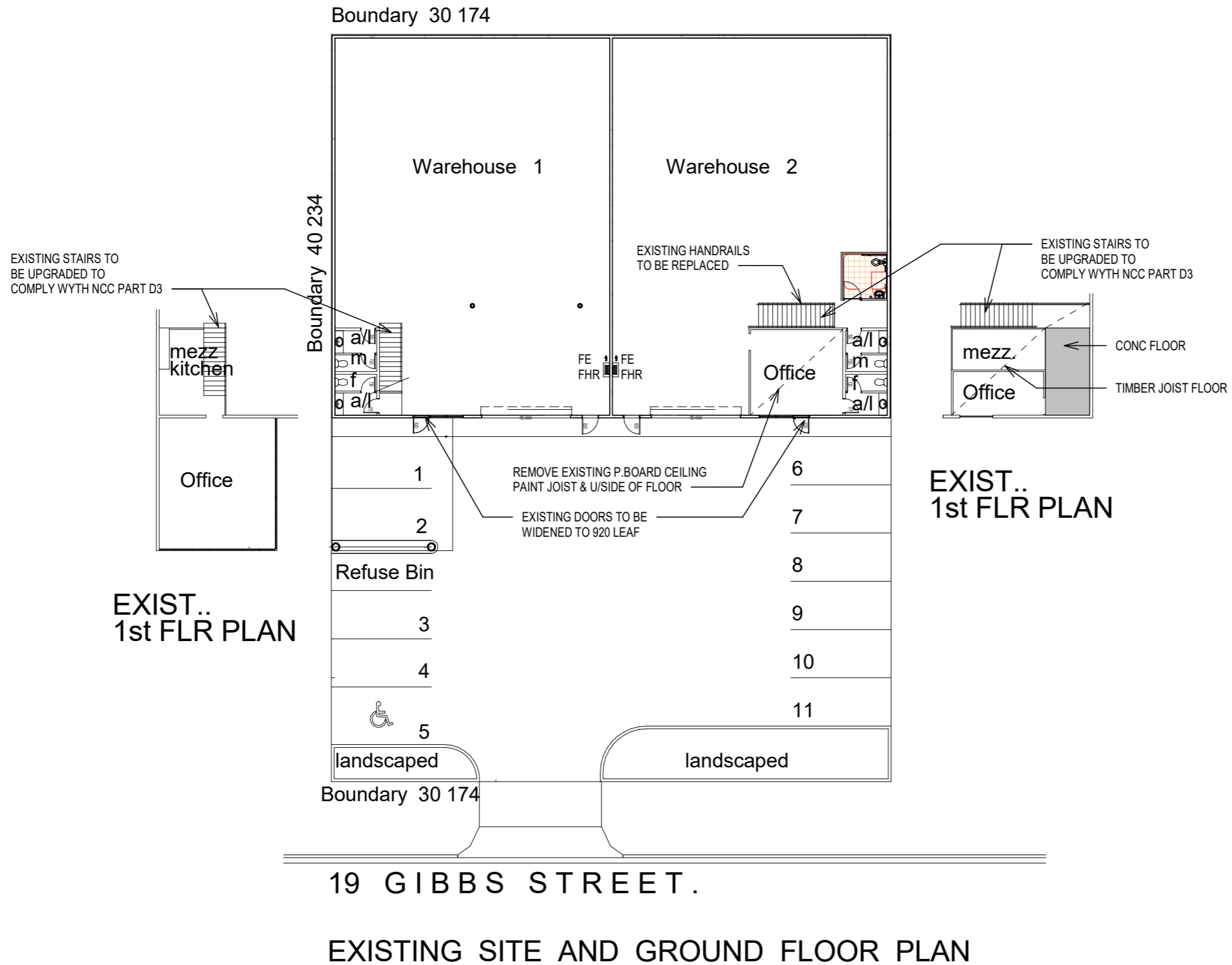
PROJECT: 16 GIBBS STREET, WYNNUM

ADDRESS: PROPOSED CHANGE OF CLASSIFICATION, PLACE OF WORSHIP CLASS 9b

CLIENT: DWELLING PLACE CHURCH

TITLE: TITLE SHEET

SHEET No.	REV.
SK-00	C
PROJECT No.	***



1 SK-01 GROUND FLOOR LEVEL
 1 : 250 @ A1

REV.	DESCRIPTION	DATE	ISSUED BY
A	INITIAL ISSUE	23.03.2026	RBH

FIGURED DIMENSIONS TO BE TAKEN IN PREFERENCE TO SCALED READINGS. VERIFY ALL DIMENSIONS ON SITE

0 2.5 5 12.5 25
 Scale 1:250 @ A3

CHECKED BY: S.E. HARDY
 (QBSA LICENCE NUMBER 65539)

DRAWN BY: Author

C:_2018 Drafting\STEVE HARDY C CURRENT\STEVE HARDY_26000\19 GIBBS ST WYNNUM\16 GIBBS ST - WHYHAM 260318.rvt

THE WORK DESCRIBED ON THIS / THESE DRAWING(S) IS COVERED BY COPYRIGHT, AND IS APPLICABLE TO THE PROJECT/SITE ONLY AND MUST NOT BE USED FOR ANY OTHER PURPOSE NOR BE REPRODUCED OR COPIED IN ANY FORM OR BY ANY MEANS WITHOUT THE WRITTEN PERMISSION OF STEVE HARDY. THIS DRAWING HAS BEEN PRODUCED BASED ON INFORMATION SUPPLIED BY OTHERS. WHILE ALL ATTEMPTS HAVE BEEN MADE TO ENSURE THE ACCURACY OF THE DRAWING, R.H FRANKLAND WILL NOT BE HELD RESPONSIBLE FOR THE ACCURACY OF THE INFORMATION PROVIDED.



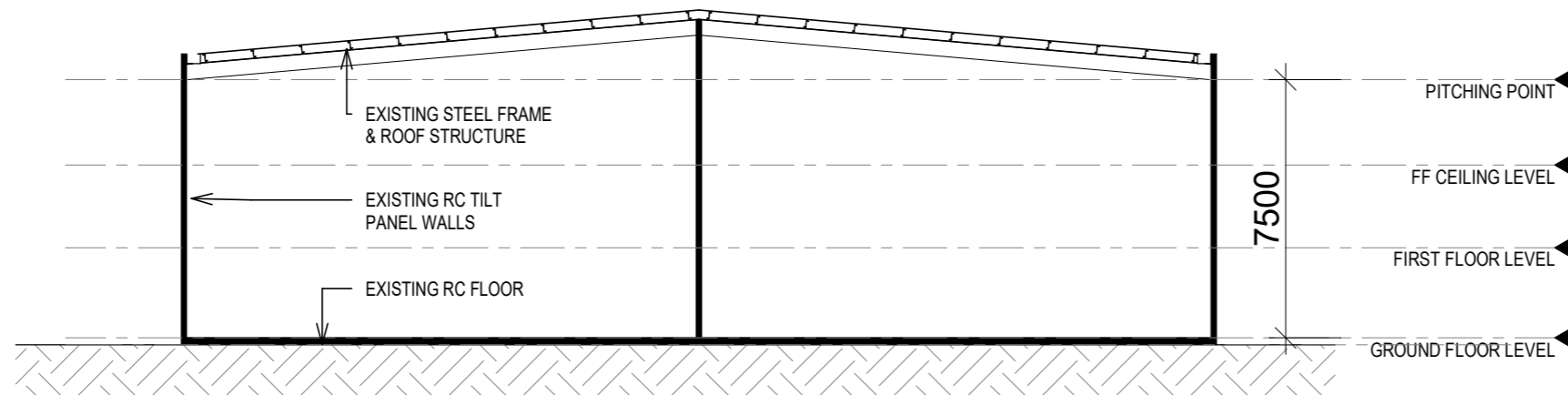
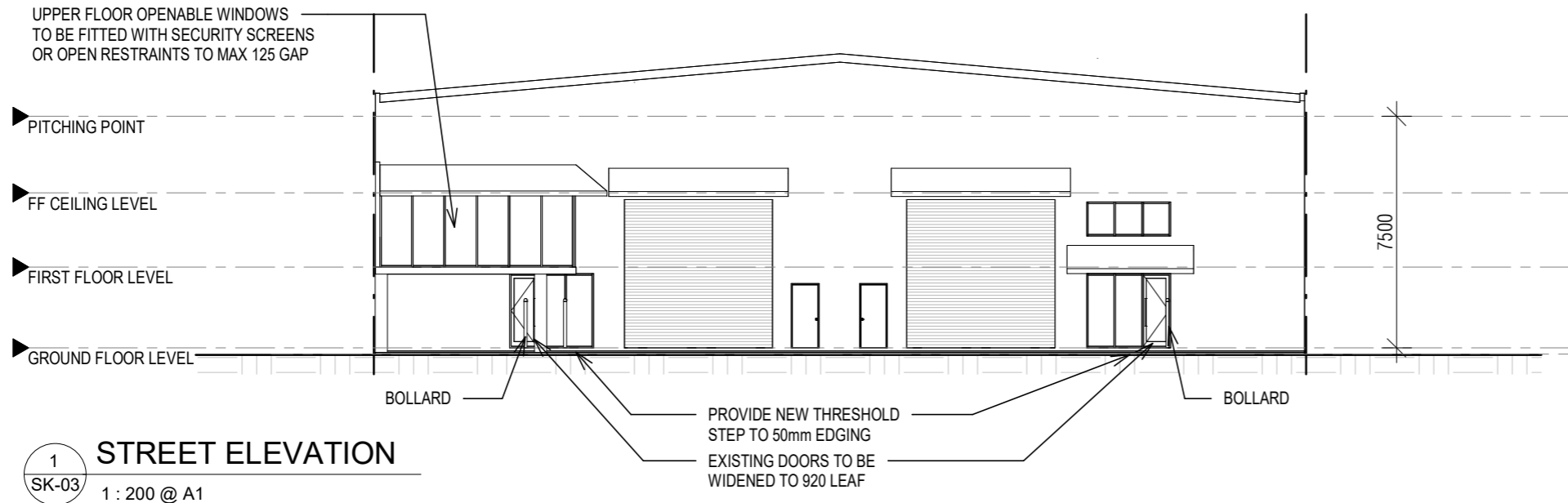
RH FRANKLAND ARCHITECTS PTY LTD
 ARCHITECTURE & CONSULTING STUDIO

1/59 Link Drive, Yatala, QLD 4207.
 ACN 688 559 551
 ABN 34 688 559 551

Tel. 0401 949 374
 mail@rhfrankland.com.au
 www.rhfrankland.com.au

PROJECT: 16 GIBBS STREET, WYNNUM
 ADDRESS: PROPOSED CHANGE OF CLASSIFICATION, PLACE OF WORSHIP CLASS 9b
 CLIENT: DWELLING PLACE CHURCH
 TITLE: EXISTING SITE & GF PLAN

SHEET No.	REV.
SK-01	A
PROJECT No.	***



REV.	INITIAL ISSUE	DESCRIPTION	DATE	ISSUED BY
A			23.03.2026	RBH

FIGURED DIMENSIONS TO BE TAKEN IN PREFERENCE TO SCALED READINGS. VERIFY ALL DIMENSIONS ON SITE

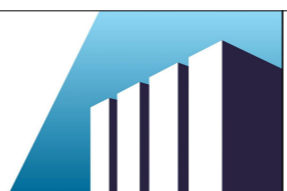
0 0.1 0.2 0.5 1
 Scale 1:10 @ A3

CHECKED BY: S.E. HARDY
 (QBSA LICENCE NUMBER 65539)

DRAWN BY: Author

C:_2018 Drafting\STEVE HARDY C CURRENT\STEVE HARDY_26000_19 GIBBS ST WYNNUM\16 GIBBS ST - WHYHAM 260318.rvt

THE WORK DESCRIBED ON THIS / THESE DRAWING(S) IS COVERED BY COPYRIGHT, AND IS APPLICABLE TO THE PROJECT/SITE ONLY AND MUST NOT BE USED FOR ANY OTHER PURPOSE NOR BE REPRODUCED OR COPIED IN ANY FORM OR BY ANY MEANS WITHOUT THE WRITTEN PERMISSION OF STEVE HARDY. THIS DRAWING HAS BEEN PRODUCED BASED ON INFORMATION SUPPLIED BY OTHERS. WHILE ALL ATTEMPTS HAVE BEEN MADE TO ENSURE THE ACCURACY OF THE DRAWING, R.H. FRANKLAND WILL NOT BE HELD RESPONSIBLE FOR THE ACCURACY OF THE INFORMATION PROVIDED.



RH FRANKLAND ARCHITECTS PTY LTD
 ARCHITECTURE & CONSULTING STUDIO

1/59 Link Drive, Yatala, QLD 4207.
 ACN 688 559 551
 ABN 34 688 559 551

Tel. 0401 949 374
 mail@rhfrankland.com.au
 www.rhfrankland.com.au

PROJECT: 16 GIBBS STREET, WYNNUM

ADDRESS: PROPOSED CHANGE OF CLASSIFICATION, PLACE OF WORSHIP CLASS 9b

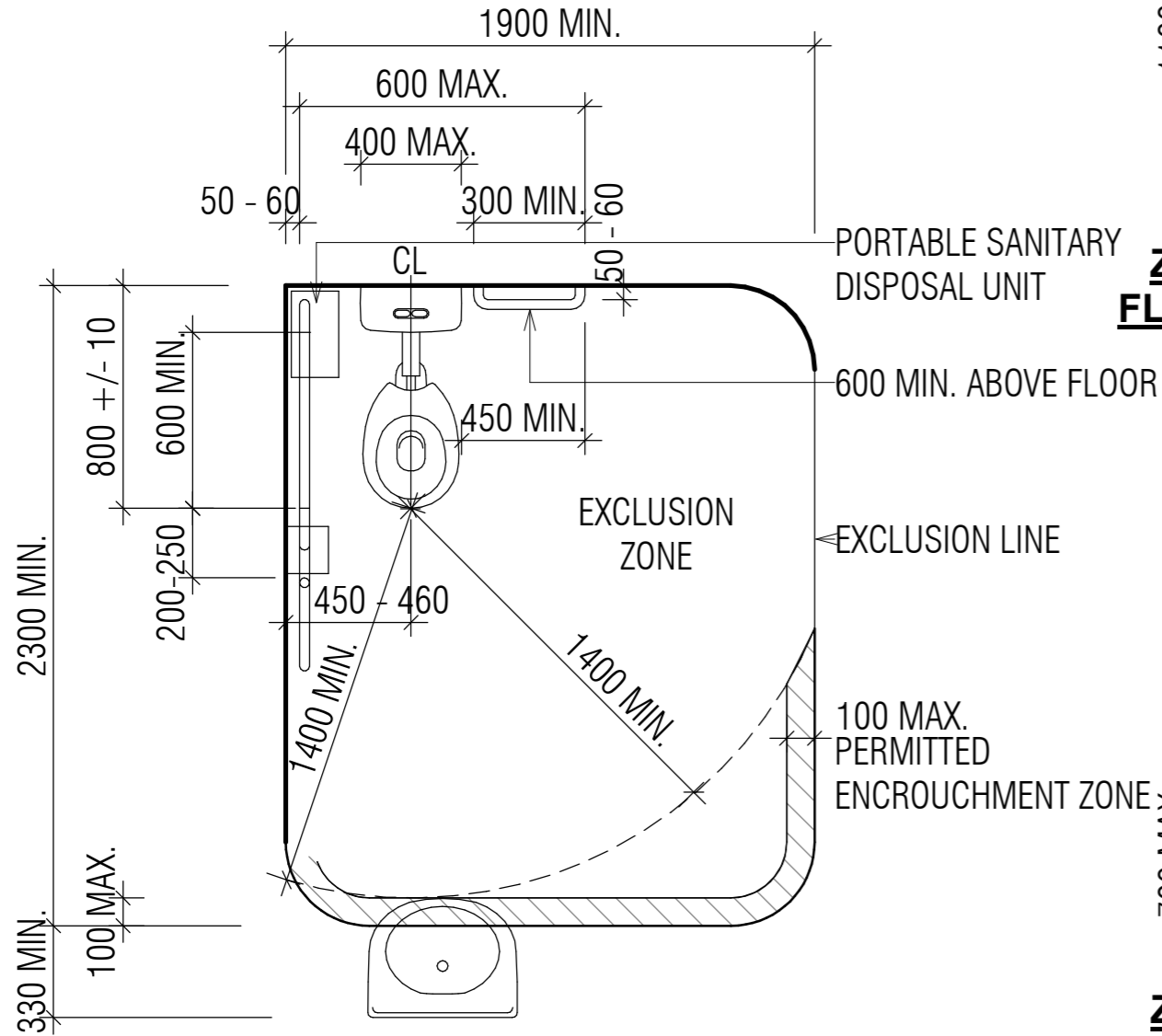
CLIENT: DWELLING PLACE CHURCH

TITLE: ELEVATION & SECTION

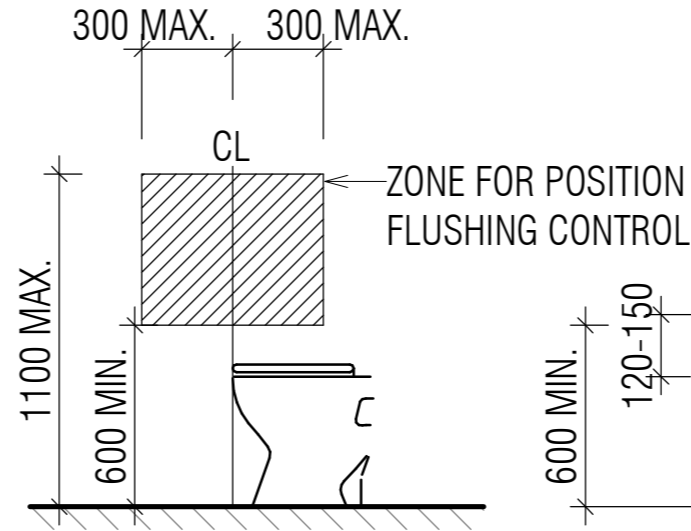
SHEET No.	REV.
SK-03	A
PROJECT No.	***

WC INSTALLATION (N.T.S)

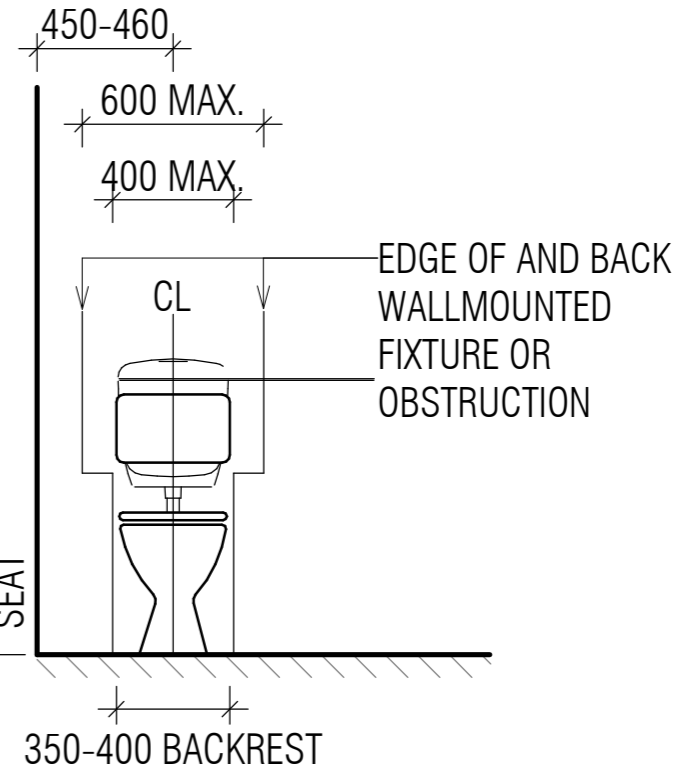
ADAPTED FROM AS 1428.1 - DESIGN FOR ACCESS AND MOBILITY
REFER TO STANDARD FOR FURTHER DETAIL / CLARIFICATION



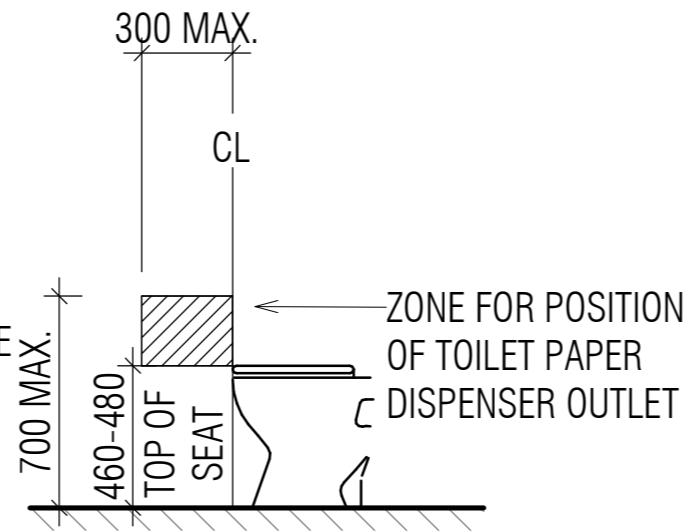
CIRCULATION SPACE FOR WC PAN



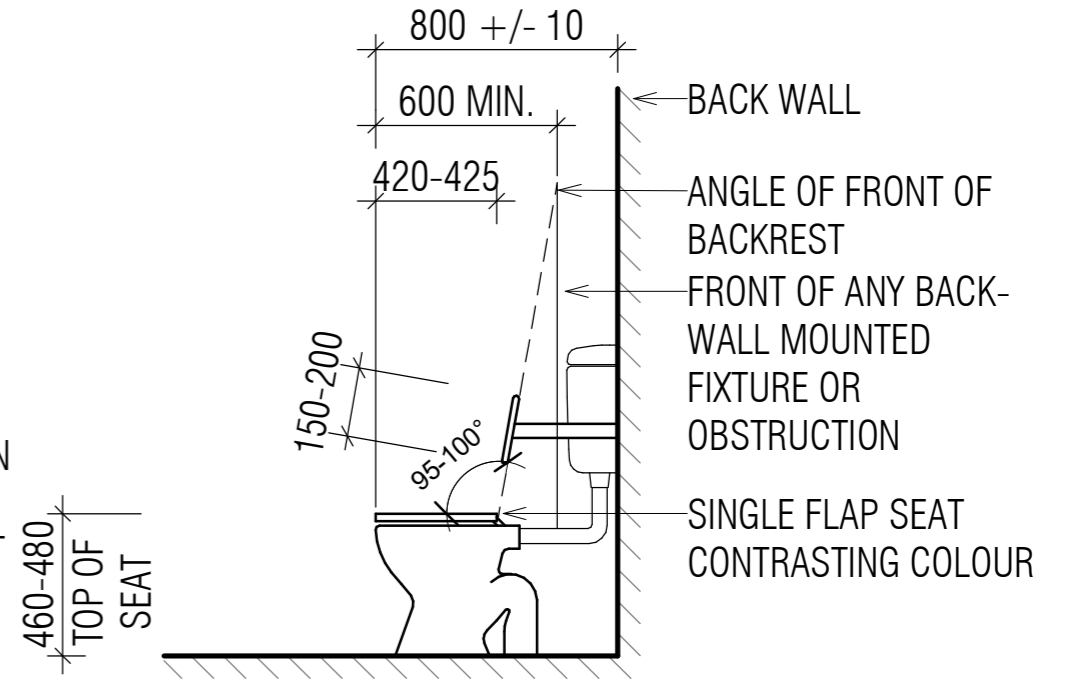
ZONE FOR POSITION OF FLUSHING CONTROL - SIDE



WATER CLOSET INSTALLATION - FRONT



ZONE FOR POSITION OF TOILET PAPER DISPENSER



WATER CLOSET INSTALLATION - SIDE

REV.	DESCRIPTION	DATE	ISSUED BY
A	INITIAL ISSUE	23.03.2026	RBH

FIGURED DIMENSIONS TO BE TAKEN IN PREFERENCE TO SCALED READINGS. VERIFY ALL DIMENSIONS ON SITE

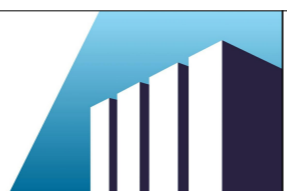
0 0.1 0.2 0.5 1
Scale 1:10 @ A3

CHECKED BY: S.E. HARDY
(QBSA LICENCE NUMBER 65539)

DRAWN BY: Author

C:_2018 Drafting\STEVE HARDY C CURRENT\STEVE HARDY_26000_19 GIBBS ST WYNNUM\16 GIBBS ST - WHYNAM 260318.rvt

THE WORK DESCRIBED ON THIS (THESE DRAWINGS) IS COVERED BY COPYRIGHT, AND IS APPLICABLE TO THE PROJECT/SITE ONLY AND MUST NOT BE USED FOR ANY OTHER PURPOSE NOR BE REPRODUCED OR COPIED IN ANY FORM OR BY ANY MEANS WITHOUT THE WRITTEN PERMISSION OF STEVE HARDY. THIS DRAWING HAS BEEN PRODUCED BASED ON INFORMATION SUPPLIED BY OTHERS. WHILE ALL ATTEMPTS HAVE BEEN MADE TO ENSURE THE ACCURACY OF THE DRAWING, R.H. FRANKLAND WILL NOT BE HELD RESPONSIBLE FOR THE ACCURACY OF THE INFORMATION PROVIDED.



RH FRANKLAND ARCHITECTS PTY LTD
ARCHITECTURE & CONSULTING STUDIO

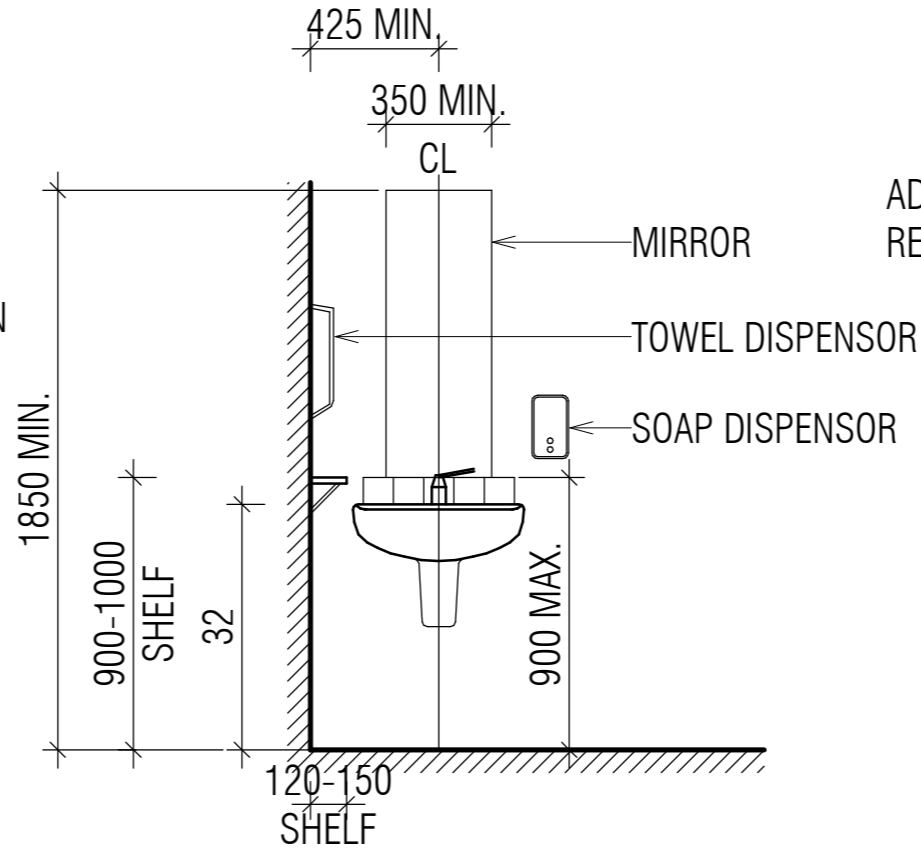
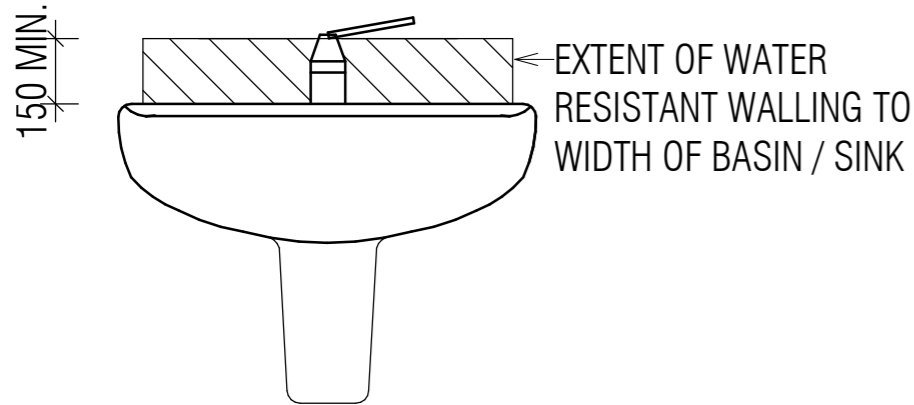
1/59 Link Drive, Yatala, QLD 4207. Tel. 0401 949 374
ACN 688 559 551 mail@rhfrankland.com.au
ABN 34 688 559 551 www.rhfrankland.com.au

PROJECT: 16 GIBBS STREET, WYNNUM
ADDRESS: PROPOSED CHANGE OF CLASSIFICATION, PLACE OF WORSHIP CLASS 9b
CLIENT: DWELLING PLACE CHURCH
TITLE: STANDARD DETAILS - PWD WC

SHEET No.	REV.
SK-04	A
PROJECT No.	***

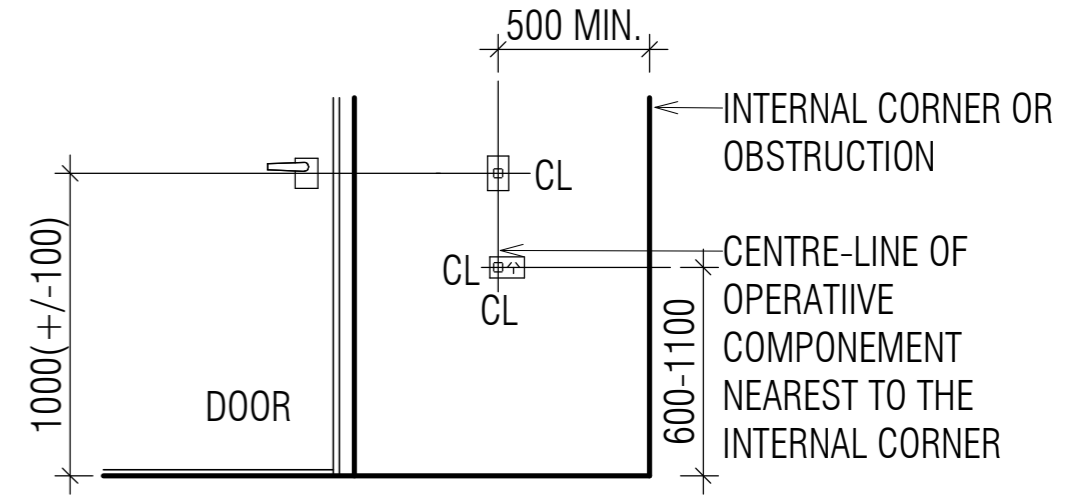
WATERPROOFING VESSELS ABUTTING WALLS (N.T.S)

ADAPTED FROM AS 3740 - WATERPROOFING DOMESTIC WET AREAS REFER TO STANDARD FOR FURTHER DETAIL / CLARIFICATION

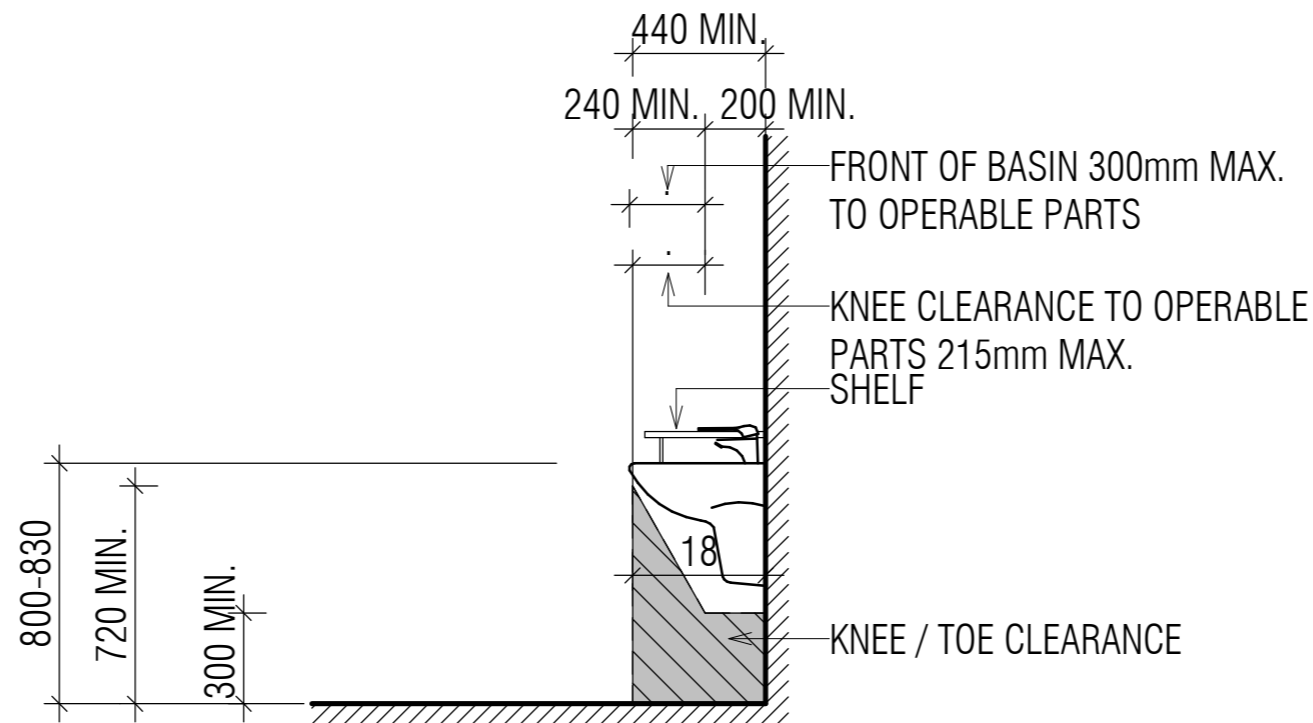
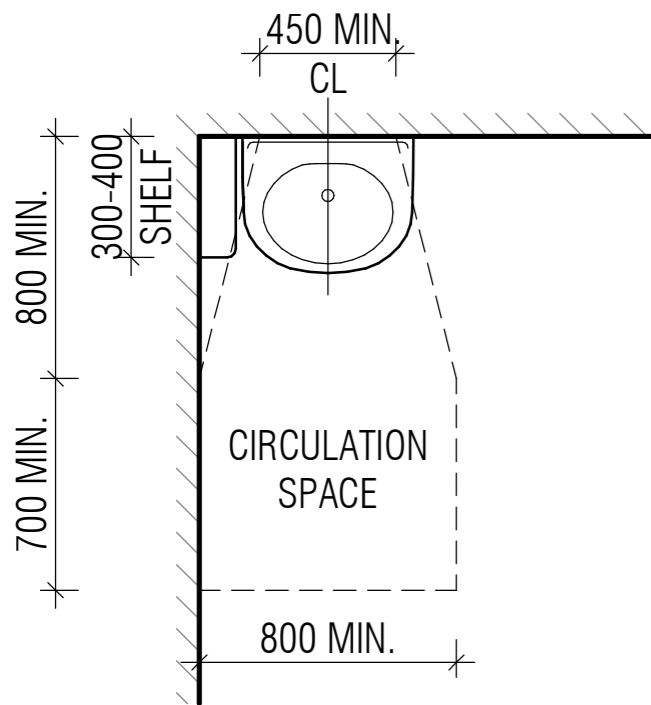


HEIGHT OF SWITCHES G.P.O. & DOOR HANDLES (N.T.S)

ADAPTED FROM AS 1428.1 - DESIGN FOR ACCESS AND MOBILITY REFER TO STANDARD FOR FURTHER DETAIL / CLARIFICATION

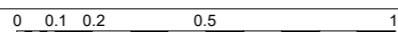


WALL-MOUNTED OTHER THAN S.O.U. FRONT



WALL-MOUNTED OTHER THAN S.O.U. PLAN

WALL-MOUNTED OTHER THAN S.O.U. SIDE



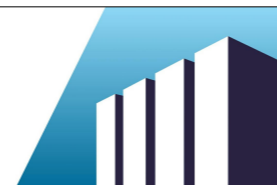
Scale 1:10 @ A3

CHECKED BY: S.E. HARDY
(QBSA LICENCE NUMBER 65539)

DRAWN BY: Author

C:_2018 Drafting\STEVE HARDY C CURRENT\STEVE HARDY_26000\19 GIBBS ST WYNNUM\16 GIBBS ST - WHYNAM 260318.rvt

THE WORK DESCRIBED ON THIS (THESE) DRAWING(S) IS COVERED BY COPYRIGHT, AND IS APPLICABLE TO THE PROJECT/SITE ONLY AND MUST NOT BE USED FOR ANY OTHER PURPOSE NOR BE REPRODUCED OR COPIED IN ANY FORM OR BY ANY MEANS WITHOUT THE WRITTEN PERMISSION OF STEVE HARDY. THIS DRAWING HAS BEEN PRODUCED BASED ON INFORMATION SUPPLIED BY OTHERS. WHILE ALL ATTEMPTS HAVE BEEN MADE TO ENSURE THE ACCURACY OF THE DRAWING, R.H. FRANKLAND WILL NOT BE HELD RESPONSIBLE FOR THE ACCURACY OF THE INFORMATION PROVIDED.



RH FRANKLAND ARCHITECTS PTY LTD
ARCHITECTURE & CONSULTING STUDIO

1/59 Link Drive, Yatala, QLD 4207.
ACN 688 559 551
ABN 34 688 559 551

Tel. 0401 949 374
mail@rhfrankland.com.au
www.rhfrankland.com.au

PROJECT: 16 GIBBS STREET, WYNNUM

ADDRESS: PROPOSED CHANGE OF CLASSIFICATION, PLACE OF WORSHIP CLASS 9b

CLIENT: DWELLING PLACE CHURCH

TITLE: STANDARD DETAILS - PWD BASIN

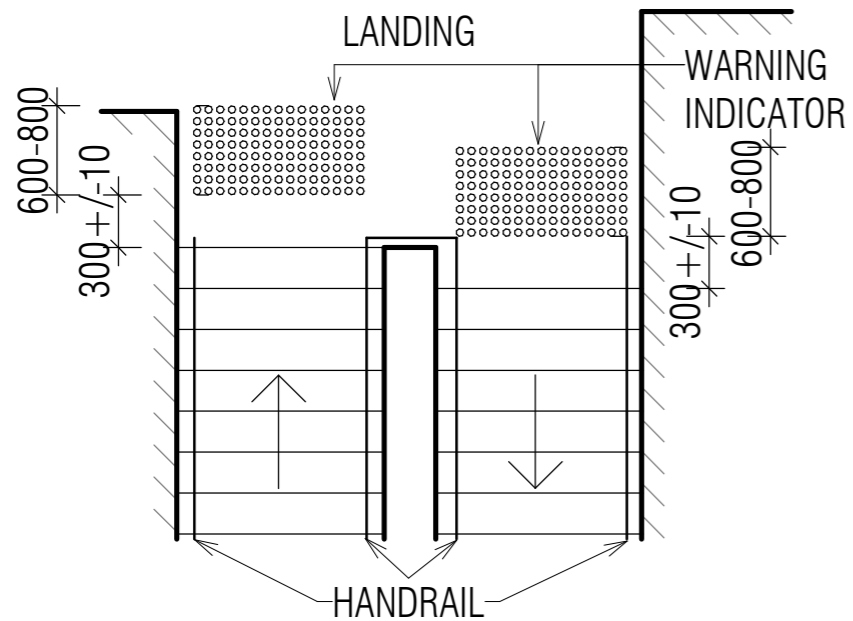
SHEET No. REV.

SK-05 A

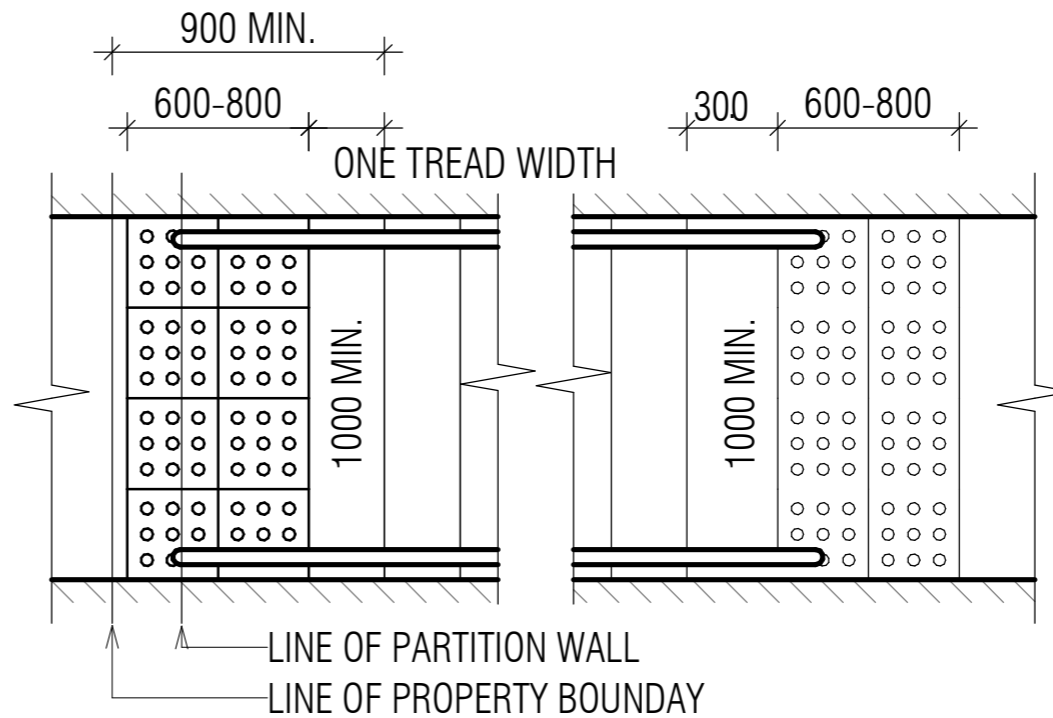
PROJECT No.

REV.	INITIAL ISSUE	DESCRIPTION	DATE	ISSUED BY
A			23.03.2026	RBH

FIGURED DIMENSIONS TO BE TAKEN IN PREFERENCE TO SCALED READINGS. VERIFY ALL DIMENSIONS ON SITE



D) PLAN OF UNENCLOSED STAIRWAY



STAIR PLAN DETAILS (N.T.S)

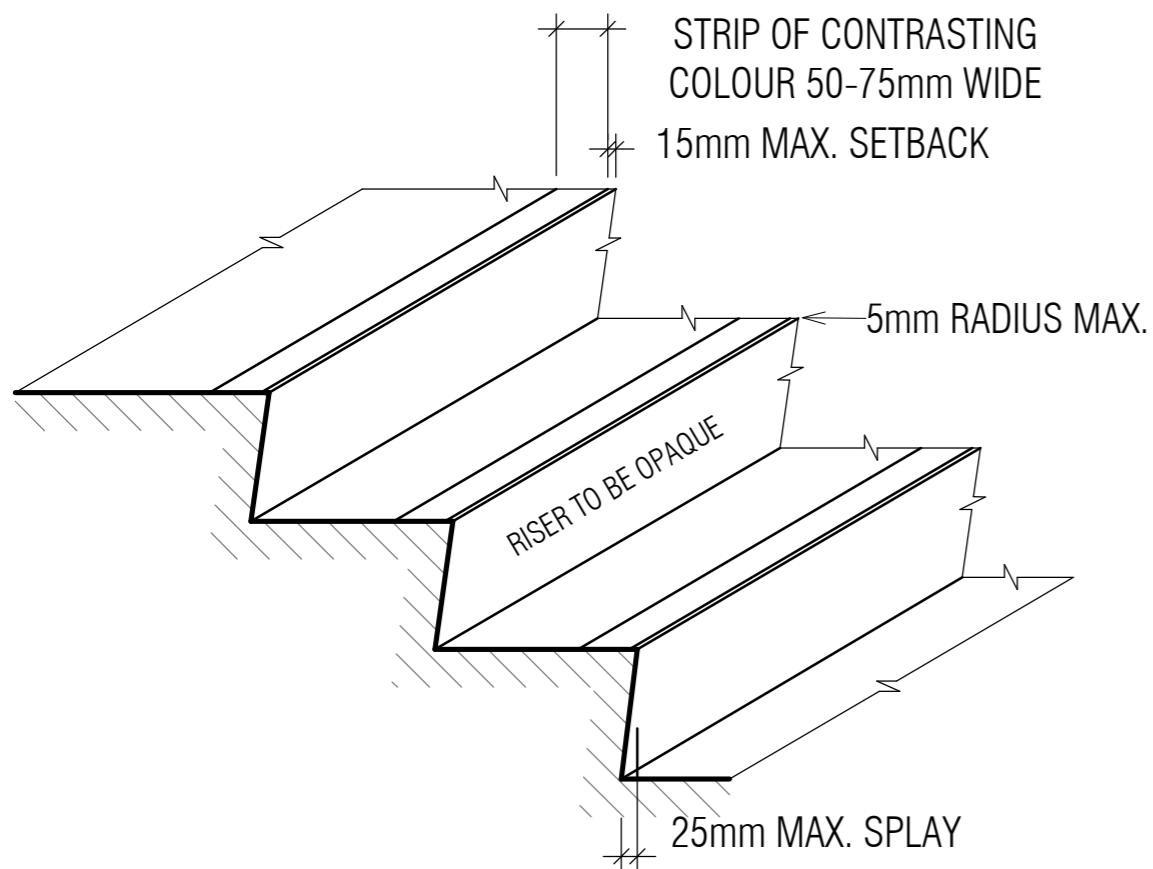
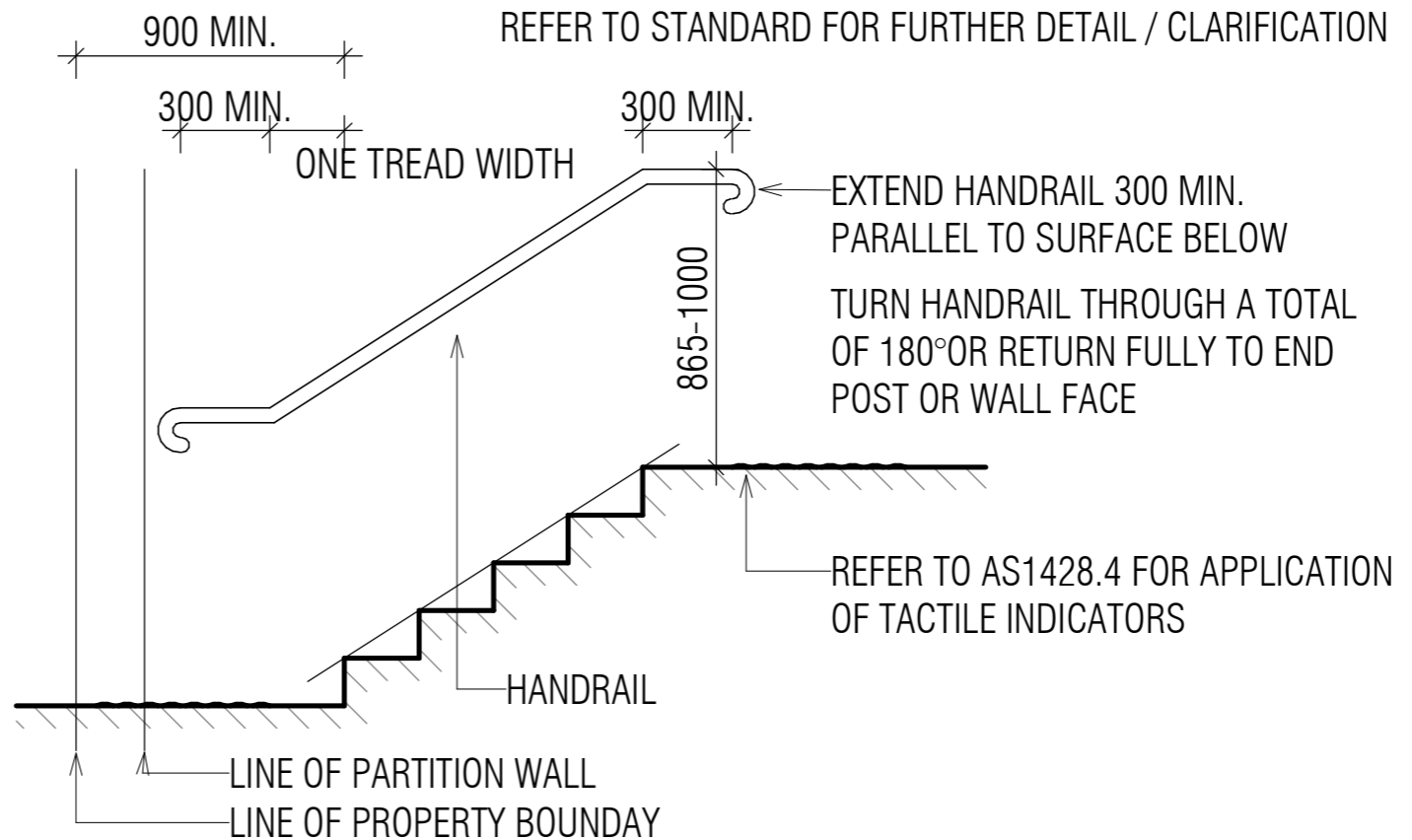


FIGURE A: A TYPICAL STAIR NOSING PROFILE WITH NOSING STRIP

NOTE: A CHAMFERED NOSED 5x5mm MAY BE USED

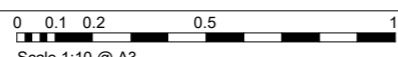
STAIR NOSING DETAILS (N.T.S)

ADAPTED FROM AS 1428.4.1 - DESIGN FOR ACCESS AND MOBILITY
REFER TO STANDARD FOR FURTHER DETAIL / CLARIFICATION



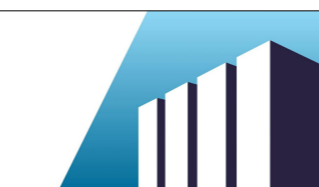
STAIR SECTION DETAILS (N.T.S)

REV.	INITIAL ISSUE	DESCRIPTION	DATE	ISSUED BY
A			23.03.2026	RBH



DRAWN BY:	Author
C:_2018 Drafting\STEVE HARDY C CURRENT\STEVE HARDY_26000\19 GIBBS ST WYNNUM\16 GIBBS ST - WHYNAM 260318.rvt	

CHECKED BY: S.E. HARDY (QBSA LICENCE NUMBER 65539)



RH FRANKLAND ARCHITECTS PTY LTD
ARCHITECTURE & CONSULTING STUDIO
1/59 Link Drive, Yatala, QLD 4207. Tel. 0401 949 374
ACN 688 559 551 mail@rhfrankland.com.au
ABN 34 688 559 551 www.rhfrankland.com.au

PROJECT: 16 GIBBS STREET, WYNNUM	SHEET No. REV.
ADDRESS: PROPOSED CHANGE OF CLASSIFICATION, PLACE OF WORSHIP CLASS 9b	SK-06 A
CLIENT: DWELLING PLACE CHURCH	PROJECT No.
TITLE: STANDARD DETAILS - STAIR DETAILS	***

PROJECT No.	***
-------------	-----